

Discontinued 06/2023.

LLBRK-LED6ICN

6" Direct Wire Recessed downlight retrofit solution with integrated LED power supply and thermal management system combined in a single compact unit with integrated junction for direct ceiling installation.

Construction: Thermoplastic Construction

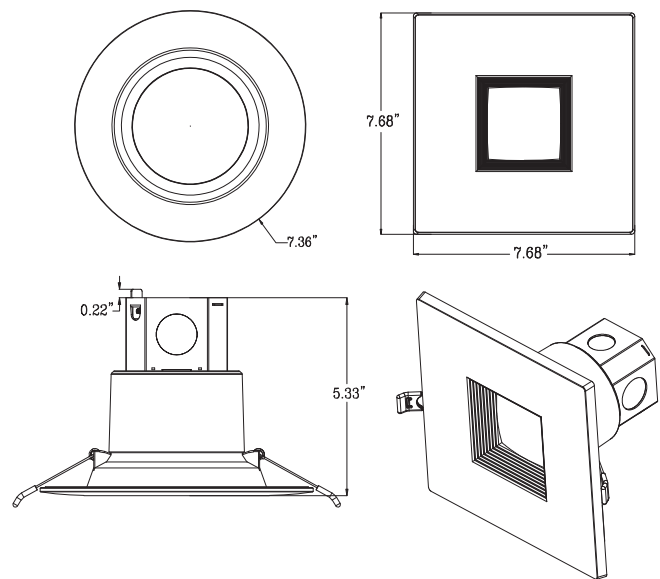
See Ordering Section for Performance Notes and Energy Star Certifications.

Notes/Certifications/Warranty:

- 120V
- Power Consumption: 9.5w
- CRI: 80
- Integrated Junction for Direct Ceiling Installation.
- No recessed can required - suitable for both new construction and retrofit
- Minimal tools required for installation.
- Direct wire to attached Junction Box.
- Suitable for use in ICAT, AT, and Non-IC applications.
- Dimming: 10% with most dimmers.
- Tested in accordance with IESNA LM79 & LM80
- ETL Listed for Wet Locations
- Passes FCC Class B
- Rated for insulated, non-insulated, and air-tight applications.
- ROHS Compliant
- Energy Star Qualified
- Five year warranty.



DIMENSIONS



ORDERING INFORMATION

| PART # | NOTES | ACCESSORIES (Snap in Trimplate) |
|----------------------------|--------------------------------------|--|
| LLBRK-LED6ICN-9.5W-27K-ECO | 120V/9.5W/850lms Del@27K/80CRI ESTAR | LLED56-TRMPLT-ECO-SQ (Square White) |
| LLBRK-LED6ICN-9.5W-30K-ECO | 120V/9.5W/850lms Del@30K/80CRI ESTAR | LLED6A-TRMPLT-ECO-SPWHT (Round White with Silver Baffle) |
| LLBRK-LED6ICN-9.5W-35K-ECO | 120V/9.5W/850lms Del@35K/80CRI ESTAR | LLED6A-TRMPLT-ECO-BK (Round Black) |
| LLBRK-LED6ICN-9.5W-40K-ECO | 120V/9.5W/850lms Del@40K/80CRI ESTAR | LLED6A-TRMPLT-ECO-N (Round Nickel) |
| LLBRK-LED6ICN-9.5W-50K-ECO | 120V/9.5W/850lms Del@50K/80CRI ESTAR | LLED6A-TRMPLT-ECO-BZ (Round Bronze) |